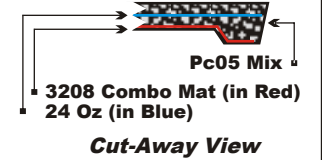
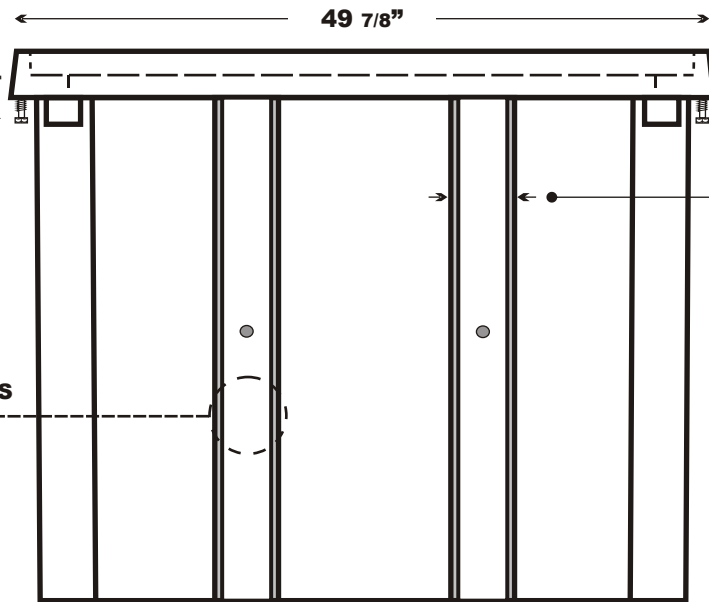
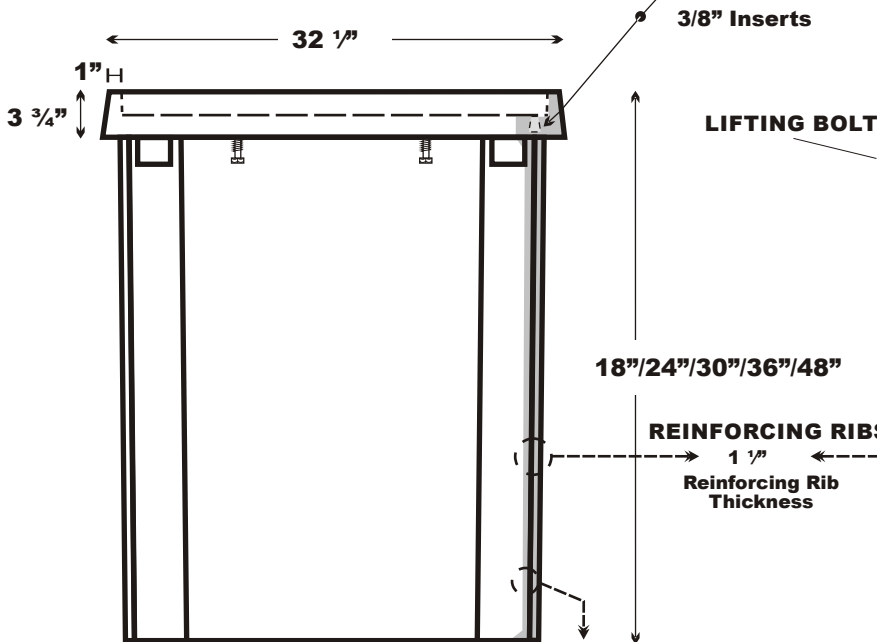
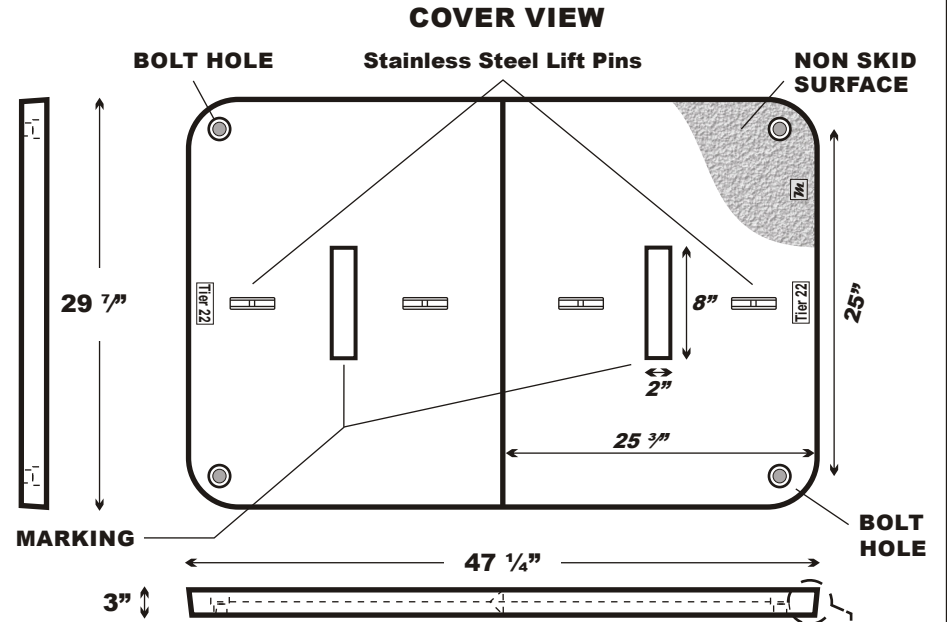
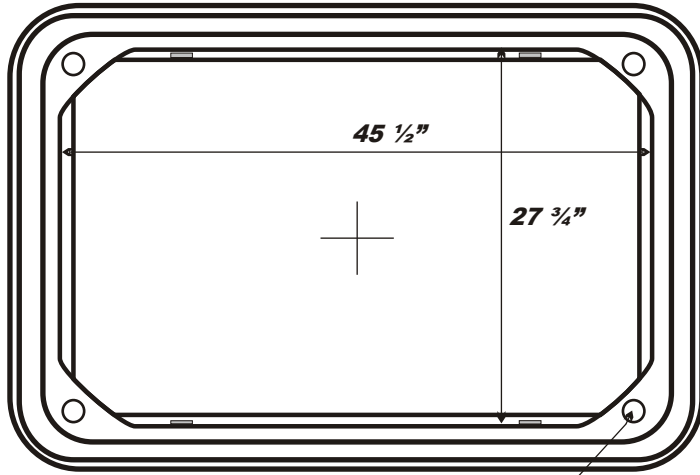


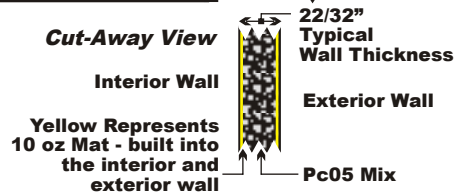
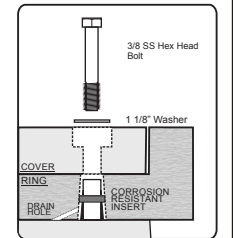
3048 Polymer Concrete Series / Tier 15 & 22

UL Listed Product

TOP VIEW



Hardware Detail



Part No. 3048 Polymer Concrete Series				Martin Enterprises	
Body: Polymer Concrete		Cover: Polymer Concrete		<i>"Your Underground Enclosure Experts"</i>	
Weight 430-725 lbs.	Tolerance +/- 1/8"	ANSI/SCTE 77 2013	UL Listed Product File# E351227		
October 21, 2014	File 3048 PC Series	Tier 15/22 Rated	ISO 9001:2008 Registered Firm		
This product design is the sole property of Martin Enterprises. This design is NOT to be altered unless written permission is granted by Martin Enterprises.					
			www.martinfrp.com		